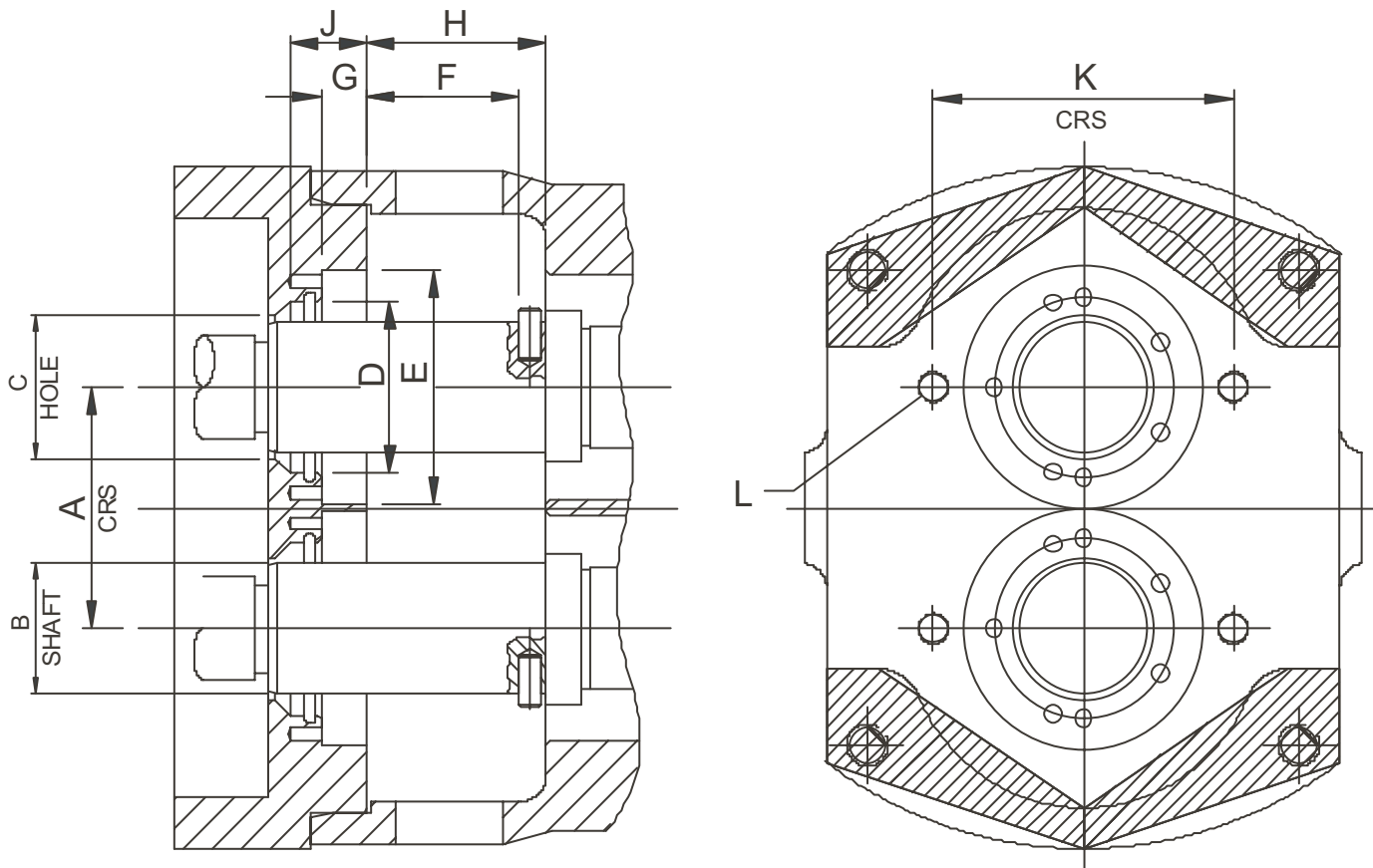




Franklin Electric

SPACE AVAILABILITY CHART FOR SEALS

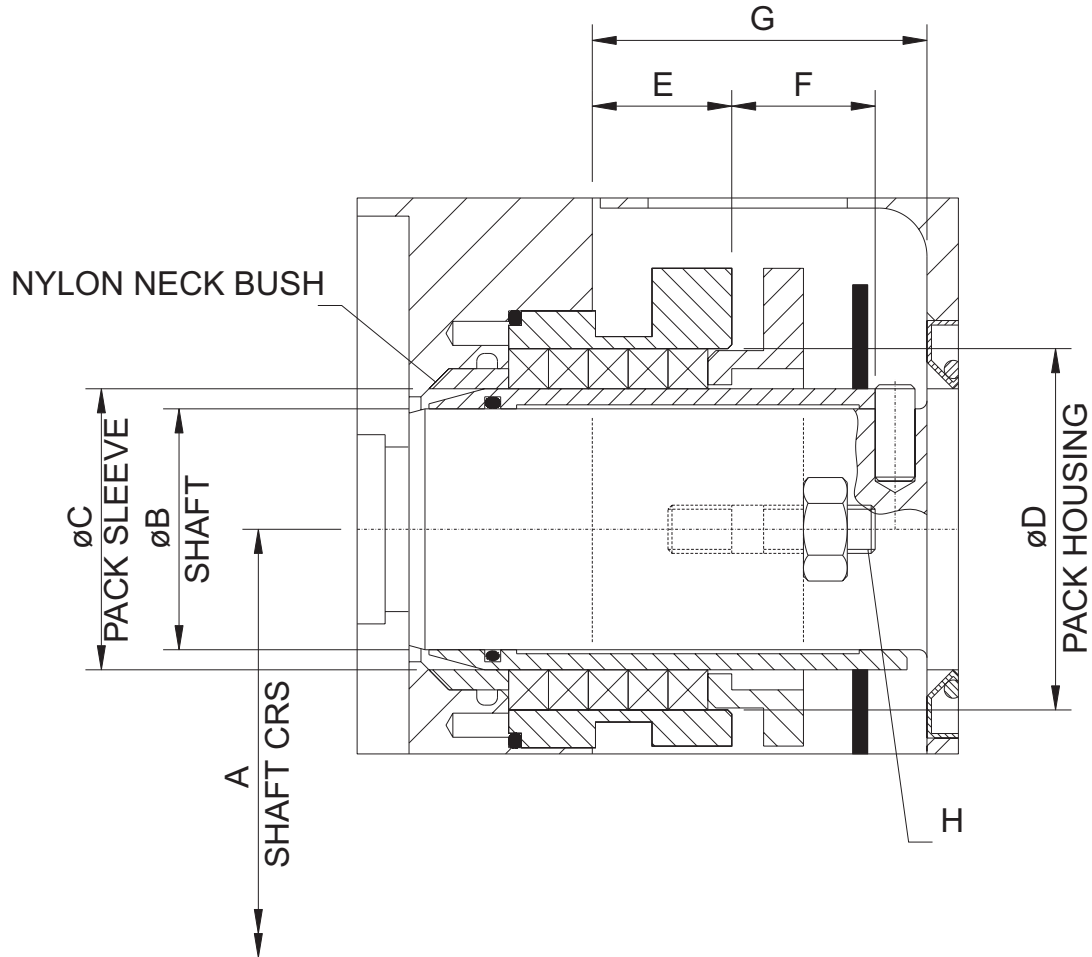


| Pump | A crs | B | C | D | E | F | G | H | J | K crs | L |
|------|--------|----|----|------|------|------|------|----|-------|-------|---------------|
| R2S | 56 | 30 | 33 | 40 | 54.5 | 11.5 | 10.5 | 15 | 15.25 | 69 | M8x12 DEEP |
| R2L | | | | | | 38.5 | | 42 | | | |
| R3S | 78 | 40 | 46 | 53.5 | 77 | 13.5 | 7.5 | 20 | | 92 | |
| R3L | | | | | | 48.5 | 55 | | | | |
| R4 | 107.25 | 55 | 64 | 70 | 100 | 54.5 | 10 | 61 | 19 | 113 | |



Franklin Electric

STUFFING BOX DIMENSIONS



| Pump | A crs | ØB | ØC | ØD | E | F | G | H |
|------|--------|----|----|------|------|------|----|-------------------|
| R2L | 56 | 30 | 35 | 45 | 17.5 | 18 | 45 | STUD M6 ON 55 PCD |
| R3L | 78 | 40 | 47 | 59.5 | 27.5 | 21 | 55 | STUD M6 ON 69 PCD |
| R4 | 107.25 | 55 | 63 | 79.5 | 35 | 19.5 | 61 | STUD M8 ON 93 PCD |