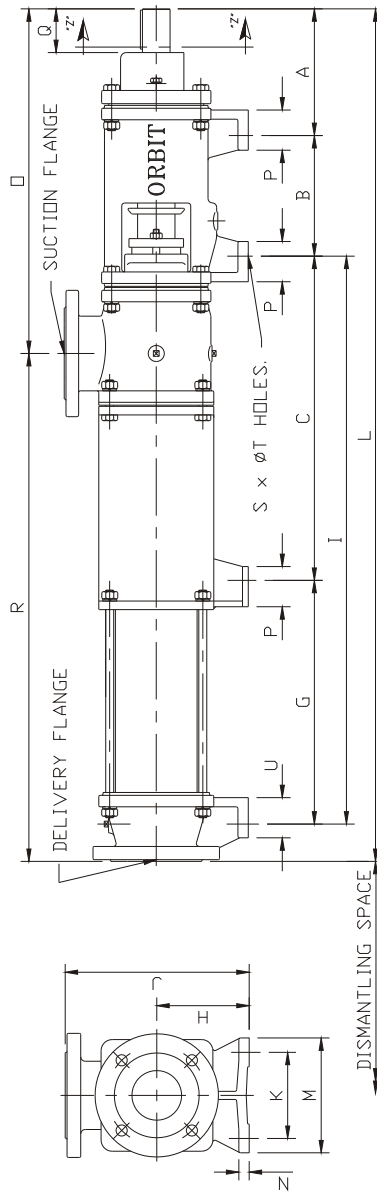
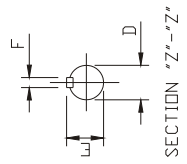




BASIC DIMENSIONS
D RANGE (SOLID SHAFT PUMP)

D-RANGE



PUMP	A	B	C	D	E	F	G	H	I	J	K	L	M	N	D	P	Q	R	S	T	U	DELIVERY		SUCTION		DISMANTLING SPACE	
																						SIZE	RATING	SIZE	RATING		
D0504	176	200	-	38	41	10	-	110	811	230	105	1739	140	14	492	50	115	1247	6	14	50	BS4504/40	BS4504/40	50	BS4504/16	780	
D1301	-	-	-	-	-	-	-	105	1484	-	-	1484	-	-	-	-	-	992	752	6	-	-	BS4504/16	BS4504/16	50	BS4504/16	-
D1302	-	-	-	-	-	-	-	105	1484	-	-	1484	-	-	-	-	-	992	752	6	-	-	BS4504/16	BS4504/16	50	BS4504/16	-
D1304	-	-	-	-	-	-	-	1713	2213	-	-	2213	-	-	-	-	-	1613	1613	-	-	-	BS4504/40	BS4504/40	80	BS4504/16	950
D1306	-	-	-	-	-	-	-	1763	2263	-	-	2263	-	-	-	-	-	1663	1663	-	-	-	BS4504/16	BS4504/16	80	BS4504/16	-
D2401	-	-	-	-	-	-	-	1118	1618	-	-	1618	-	-	-	-	-	1018	1018	-	-	-	BS4504/16	BS4504/16	80	BS4504/16	-
D2402	-	-	-	-	-	-	-	1493	1993	-	-	1993	-	-	-	-	-	1393	1393	6	18	-	BS4504/16	BS4504/40	100	BS4504/16	-
D2404	-	-	-	-	-	-	-	1713	2208	-	-	2208	-	-	-	-	-	1608	1608	-	-	-	BS4504/40	BS4504/40	100	BS4504/16	-
D4001	220	210	-	48	51.5	14	-	1118	1618	320	150	1993	200	18	70	80	80	1393	1393	-	-	70	BS4504/16	BS4504/16	80	BS4504/16	-
D4002	-	-	-	-	-	-	-	160	1498	-	-	1498	-	-	-	-	-	1018	1018	-	-	65	BS4504/16	BS4504/16	80	BS4504/16	-
D4004	-	-	-	-	-	-	-	1935	2430	-	-	2430	-	-	-	-	-	1830	1830	-	-	70	BS4504/40	BS4504/40	100	BS4504/16	1030
D5401	-	-	-	-	-	-	-	1183	1683	-	-	1683	-	-	-	-	-	1083	1083	-	-	65	BS4504/16	BS4504/16	80	BS4504/16	950
D5402	-	-	-	-	-	-	-	1628	2123	-	-	2123	-	-	-	-	-	1523	1523	-	-	70	BS4504/16	BS4504/16	100	BS4504/16	1030
D5403	-	-	-	-	-	-	-	1885	2380	-	-	2380	-	-	-	-	-	1780	1780	-	-	70	BS4504/25	BS4504/25	100	BS4504/16	1030
D9601	-	-	-	-	-	-	-	1188	1683	-	-	1683	-	-	-	-	-	1083	1083	-	-	150	BS4504/16	BS4504/16	150	BS4504/16	1110
D9602	-	-	-	-	-	-	-	1878	2373	-	-	2373	-	-	-	-	-	1773	1773	-	-	150	BS4504/16	BS4504/16	150	BS4504/16	1110
D15001	-	-	-	-	-	-	-	1337	1832	-	-	1832	-	-	-	-	-	1215	1215	-	-	150	BS4504/16	BS4504/16	150	BS4504/16	1110
D15002	-	-	-	-	-	-	-	1948	2442	-	-	2442	-	-	-	-	-	1826	1826	-	-	150	BS4504/16	BS4504/16	150	BS4504/16	1110
D22001	-	-	-	-	-	-	-	605	1797	-	-	1797	-	-	-	-	-	1557	1557	-	-	200	BS4504/16	BS4504/16	200	BS4504/16	1680
D22002	-	-	-	-	-	-	-	2322	2926	-	-	2926	-	-	-	-	-	2082	2082	-	-	200	BS4504/16	BS4504/16	200	BS4504/16	1680
D30001	258	275	1192	65	69	18	780	200	1972	410	200	2576	250	22	844	85	130	1732	8	24	85	200	BS4504/16	BS4504/16	200	BS4504/16	1680
D44001	-	-	-	-	-	-	1130	2322	2322	-	-	2926	-	-	-	-	-	2082	2082	-	-	200	BS4504/16	BS4504/16	200	BS4504/16	1680

NOTES:

- 1) DELIVERY & SUCTION FLANGES ARE BS4504 (ANSI FLANGES ARE AVAILABLE ON REQUEST).
- 2) NORMAL DIRECTION OF ROTATION IS CLOCKWISE. (SUCTION ON SHAFT END).
- 3) SUCTION ON GLAND)=S.O.G. ANTICLOCKWISE ROTATION WOULD BE DELIVERY ON GLAND=D.O.G. SUCTION FLANGE CAN BE POSITIONED ON THE LEFT OR RIGHT IF REQUIRED.

DATE: 01/06/06

DATA No. A3-2054