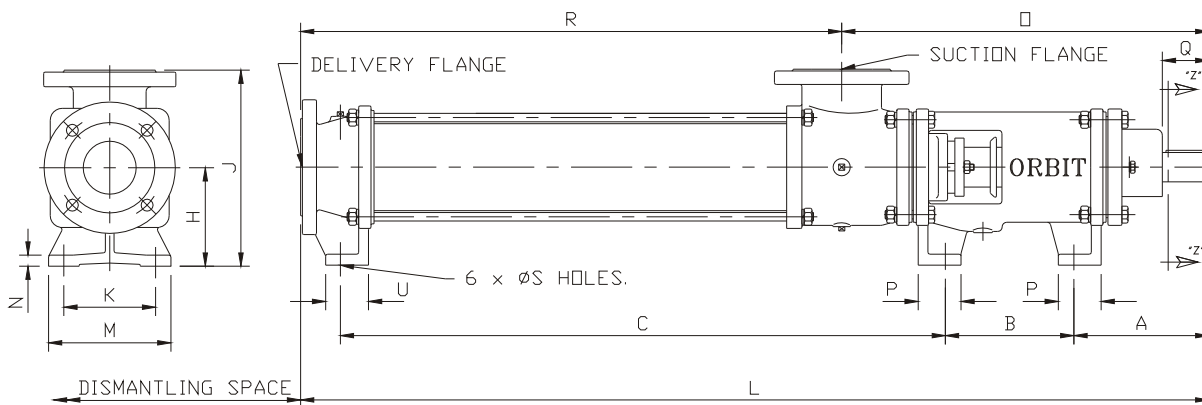


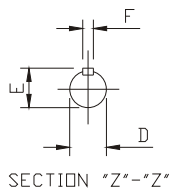


BASIC DIMENSIONS  
E & B RANGE  
(HOLLOW SHAFT PUMP)

**E & B-RANGE**



PUMP	A	B	C	D	E	F	H	J	K	L	M	N	□	P	Q	R	S	U	DELIVERY		SUCTION		DISMANTLING SPACE		
																			SIZE	RATING	SIZE	RATING			
B0104			407							770															
B0202			461							825															
B0204	163	150	550	28	31	8	90	200	90	980	125	11	390	45	110	590	11			40	BS4504/40	40	BS4504/40	282	
B0501			321							685						295									
B0502			496							860						470									
B0504	176	200	930	38	41	10	110	230	105	1364	140	14	492	50	115	872	14			50	BS4504/16	50	BS4504/16	385	
B0801	163	150	366	28	31	8	90	200	90	730	125	11	390	45	110	340	11			40		40		282	
B0802			680							1115						623									
B1301	176	200	435	38	41	10	110	230	105	869	140	14	492	50	115	377	6			50	BS4504/16	50	BS4504/16	385	
B1302			675							1109						617									
B1304	220		1240							1740				600		75	1140			80	BS4504/40	80	BS4504/40	490	
B1306	262		1476							2087				642		80	1445			100	BS4504/16	100	BS4504/16	690	
B2401	220		645							1145				600		75	545			80	BS4504/16	80	BS4504/16	490	
B2402			1020							1520						920									
B2404	262		1421							1926				642		80	1318			70	100	BS4504/40	100	BS4504/16	690
B4001	220		645							1145				600		75	545			65	80	BS4504/16	80	BS4504/16	490
B4002	262	210	1208	48	51.5	14	160	320	150	1745	200	18		642	70	80	1103			70	100	BS4504/16	100	BS4504/16	690
B4004			1527							2064						80	1423								
B5401	220		710							1210				600		75	610			65	80	BS4504/16	80	BS4504/16	490
B5402			1338							1875				642		80	1233								
B5403	262		1484							2095						80	1453			100	BS4504/16	100	BS4504/16	690	
B9002			1258							2013							1373			70					
B9601			898							1435				642		80	793				100	BS4504/16	100	BS4504/16	690
B9602			1478							2015							1373								
B15001			954							1491				659			832			150	BS4504/16	150	BS4504/16	755	



- NOTES:
- 1) DELIVERY & SUCTION FLANGES ARE BS4504 (ANSI FLANGES ARE AVAILABLE ON REQUEST).
  - 2) DIRECTION OF ROTATION IS CLOCKWISE. (LOOKING ON SHAFT END. (SUCTION ON GLAND))
  - 3) SUCTION FLANGE CAN BE ROTATED TO FACE THE RIGHT OR LEFT HAND SIDE.

DATE: 01/12/08

DATA No. A3-5421