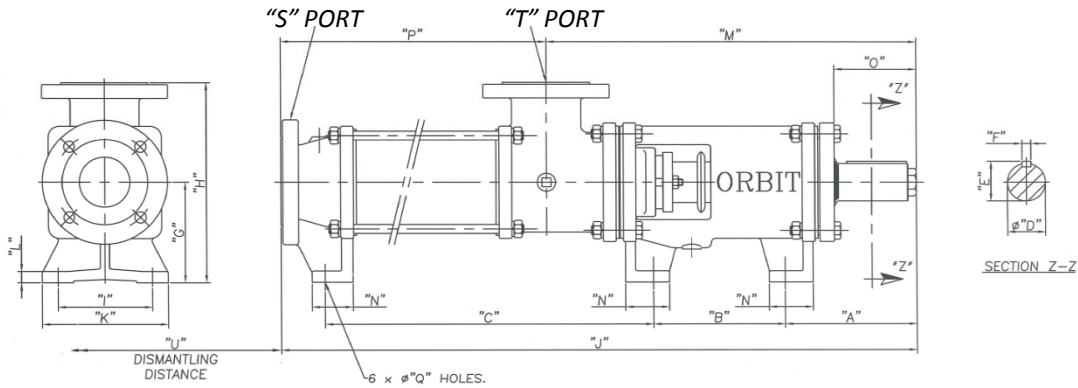




DIMENSION SHEET
ORBIT PP

1302 - 9602



PUMP	A'	B'	C'	D'	E'	F'	G'	H'	I'	J'	K'	L'	M'	N'	O'
1302	146	200	929	48	51.5	14	110	230	105	1334	140	13	462	50	84
1304	208	210	1232	60	64	18	160	320	150	1720	200	18	588	70	120
2402	208	210	1335	60	64	18	160	320	150	1823	200	18	588	70	120
2404	208	210	1235	60	64	18	160	320	150	1723	200	18	588	70	120
5402	208	210	1298	60	64	18	160	320	150	1781	200	18	588	70	120
5403	208	210	1555	60	64	18	160	320	150	2041	200	18	588	70	120
9602	208	210	1577	60	64	18	160	320	150	2060	200	18	588	70	120

PUMP	P'	Q'	S'	T'	U'
1302	872	14	50NB BS4504/16-SUCTION	50NB BS4504/16-DELIVERY	400
1304	1132	18	80NB BS4504/40-SUCTION	80NB BS4504/40-DELIVERY	500
2402	1235	18	80NB BS4504/16-SUCTION	80NB BS4504/16-DELIVERY	500
2404	1135	18	80NB BS4504/40-SUCTION	80NB BS4504/40-DELIVERY	500
5402	1193	18	100NB BS4504/16-SUCTION	100NB BS4504/16-DELIVERY	500
5403	1453	18	100NB BS4504/40-SUCTION	100NB BS4504/40-DELIVERY	500
9602	1472	18	100NB BS4504/16-SUCTION	100NB BS4504/16-DELIVERY	500

DATA SHEET : 2052

MANUFACTURED BY  Franklin Electric