

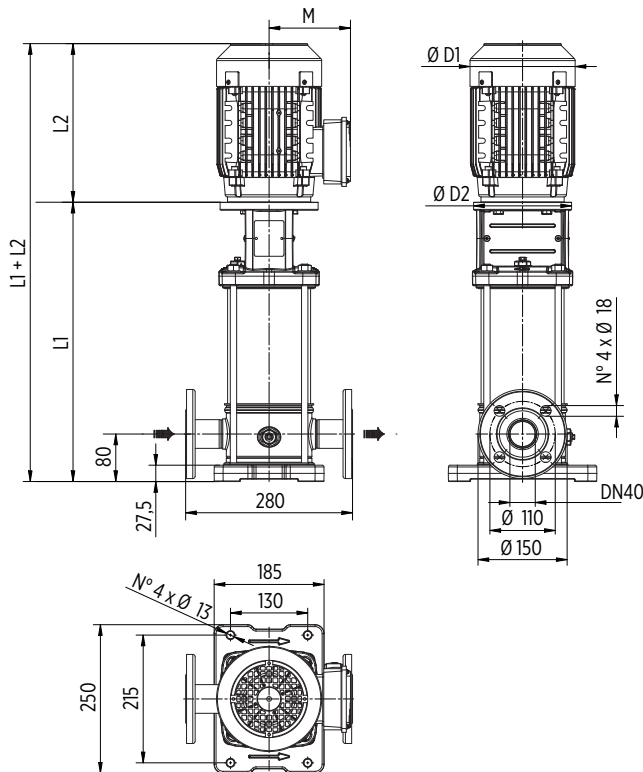
EV 10 - 50 Hz

TECHNICAL DATA

Pump Model	MOTOR		Dimensions [mm]													Weight [kg]		
			L1		L2		L3	L4	L5	M		D1		D2	L1+L2	Pump	Motor	Electric Pump
	[kW]	Dim	F	1-PHASE	3-PHASE	T	V	C	1-PHASE	3-PHASE	1-PHASE	3-PHASE						
EV 10/2	0.75	80	350	232	232	350	350	350	150	129	160	160	170	582	14	9.5	23.5	
EV 10/3	1.1	80	380	232	232	380	380	380	150	129	160	160	170	612	14.5	11.1	25.6	
EV 10/4	1.5	90	410	267	267	410	410	410	160	138	180	180	170	677	15	14	29	
EV 10/5	1.5	90	440	267	267	440	440	440	160	138	180	180	170	707	16	14	30	
EV 10/6	2.2	90	470	267	267	470	470	470	160	138	180	180	170	737	16.5	16	32.5	
EV 10/7	2.2	90	500	267	267	500	500	500	160	138	180	180	170	767	17	16	33	
EV 10/8	3	100	530	-	306	530	530	530	-	145	-	196	170	836	17.5	22.8	40.3	
EV 10/9	3	100	560	-	306	560	560	560	-	145	-	196	170	866	18	22.8	40.8	
EV 10/10	4	112	590	-	306	590	590	590	-	145	-	196	170	896	19	26.5	45.5	
EV 10/11	4	112	620	-	306	620	620	620	-	145	-	196	170	926	19.5	26.5	46	
EV 10/12	4	112	650	-	306	650	650	650	-	145	-	196	170	956	20	26.5	46.5	
EV 10/13	4	112	680	-	306	680	680	680	-	145	-	196	170	986	21	26.5	47.5	
EV 10/15	5.5	132	952	-	328	952	952	952	-	160	-	225	300	1280	42	33.6	75.6	
EV 10/17	5.5	132	1012	-	328	-	1012	1012	-	160	-	225	300	1340	43	33.6	76.6	
EV 10/19	7.5	132	1072	-	350	-	1072	1072	-	160	-	225	300	1422	44.5	36	80.5	
EV 10/21	7.5	132	1132	-	350	-	1132	1132	-	160	-	225	300	1482	46	36	82	
EV 10/23	7.5	132	1192	-	350	-	1192	1192	-	160	-	225	300	1542	47	36	83	
EV 10/24	11	160	1242	-	425	-	1242	1242	-	194	-	248	350	1667	51	59	110	

DIMENSIONAL DRAWINGS

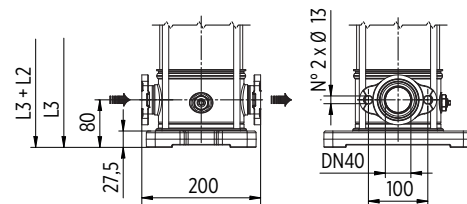
F Version



Round flanges on body type PN25/40: the pump is supplied without counterflanges (Optional accessories, including bolts and joints)

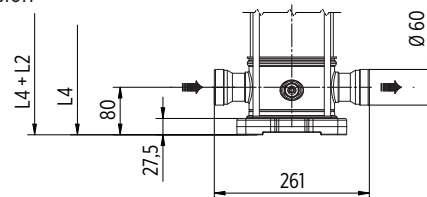
T Version

Available from EV10/2 to EV10/15



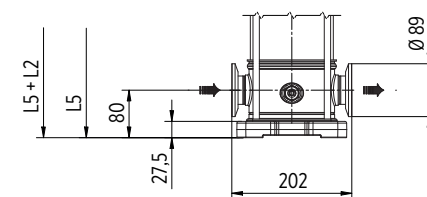
Oval flanges on body type PN16: the pump is supplied without threaded oval counter flanges (Optional accessories, including bolts and joints)

V Version



Connections with rapid fittings type "Victaulic": the pump is supplied without the collars (Optional accessories)

C Version



Connections with round fittings type Clamp-FlexiClamp: the pump is supplied without collars (Optional accessories)

00120101 03/2021