



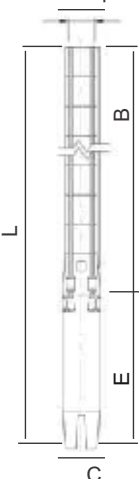
TYPICAL PERFORMANCE CURVE

TESTED ACCORDING TO ISO 9906 Annex A

PERFORMANCE 50Hz

SS690

100mm (4") BSP Pump



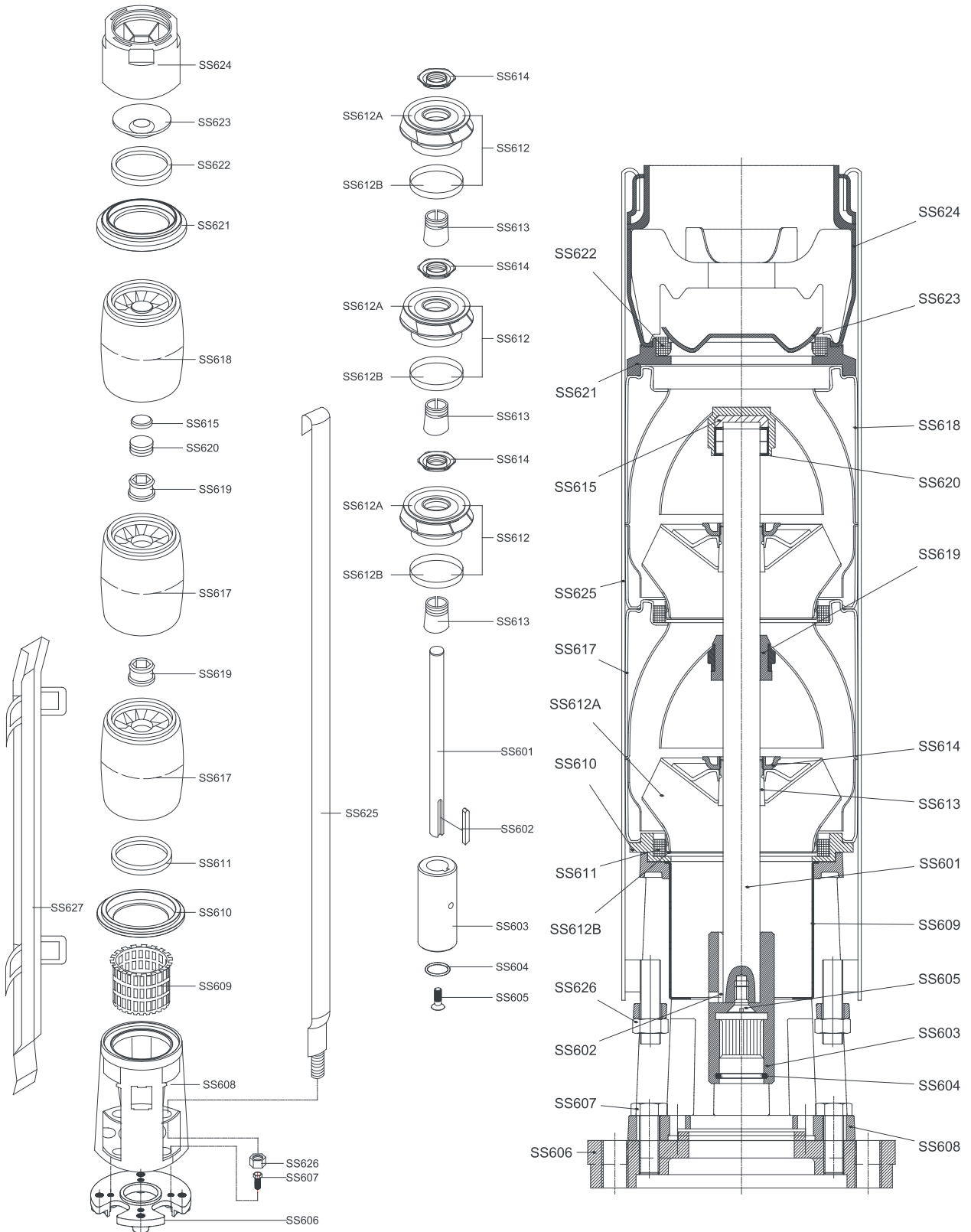
PUMP TYPE	MOTOR	DIMENSIONS (mm)												WEIGHT (kg)										
		150mm 100mm (6"-4")	150mm 150mm (6"-6")	150mm 200mm (6"-8")	100mm (4")	150mm (6")	200mm (8")	100mm (4")	150mm (6")	200mm (8")	100mm (4")	150mm (6")	200mm (8")	ø	ø	MOTOR			PUMP			TOTAL		
		L	L	L	E	E	E	B	B	B	ø = C	ø = C	ø = C	PUMP	D	100mm (4")	150mm (6")	200mm (8")	150mm- 100mm (6"-4")	150mm- 150mm (6"-6")	150mm- 200mm (6"-8")	150mm- 100mm (6"-4")	150mm- 150mm (6"-6")	150mm- 200mm (6"-8")
SS 69001	4	1060	1069	-	621	630	-	439	439	-	93	145	-	149	4"	21	46	-	11	11	-	32	57	-
SS 69002	7,5	1440	1230	-	860	650	-	580	580	-	93	145	-	149	4"	31	48	-	14	14	-	45	62	-
SS 69003	11	-	1451	-	-	730	-	-	721	-	-	145	-	149	4"	-	56	-	-	17	-	-	73	-
SS 69004	15	-	1692	-	-	830	-	-	862	-	-	145	-	149	4"	-	66	-	-	20	-	-	86	-
SS 69005	18,5	-	1883	-	-	880	-	-	1003	-	-	145	-	149	4"	-	72	-	-	23	-	-	95	-
SS 69006	22	-	2124	2103	-	980	930	-	1144	1173	-	145	195	149	4"	-	82	121	-	26	29	-	108	150
SS 69007	30	-	2315	2354	-	1030	1040	-	1285	1314	-	145	195	149	4"	-	88	140	-	29	32	-	117	172
SS 69008	30	-	2536	2495	-	1110	1040	-	1426	1455	-	145	195	149	4"	-	98	140	-	32	35	-	130	175
SS 69009	37	-	2757	2666	-	1190	1070	-	1567	1595	-	145	195	149	4"	-	106	146	-	35	38	-	141	184
SS 69010	37	-	2898	2807	-	1190	1070	-	1708	1737	-	145	195	149	4"	-	106	146	-	38	41	-	144	187
SS 69011	45	-	3119	3008	-	1270	1130	-	1849	1878	-	145	195	149	4"	-	116	158	-	41	44	-	157	202
SS 69012	45	-	3260	3149	-	1270	1130	-	1990	2019	-	145	195	149	4"	-	116	158	-	44	47	-	160	205

PUMP TYPE	MOTOR	m ³ /h	0	75	84	90	96	100	105	110	115	120
	kW	l / sec	0,00	20,83	23,33	25,00	26,67	27,78	29,17	30,56	31,94	33,33
SS 69001	4	Total Dynamic Head (TDH)	15	11	11	10	9	9	8	8	7	6
SS 69002	7,5		31	22	21	20	19	18	17	16	14	13
SS 69003	11		46	33	32	30	28	27	25	23	21	19
SS 69004	15		62	44	42	40	38	36	33	31	28	25
SS 69005	18,5		77	55	53	50	47	45	42	39	35	31
SS 69006	22		93	66	63	60	57	54	50	47	42	38
SS 69007	30		108	77	74	70	66	63	59	55	50	44
SS 69008	30		124	88	84	80	76	72	67	62	57	50
SS 69009	37		139	98	95	90	85	81	75	70	64	56
SS 69010	37		155	109	105	100	95	90	84	78	71	63
SS 69011	45		170	120	116	110	104	99	92	86	78	69
SS 69012	45		186	131	126	120	113	108	100	94	85	75

DATE: 17/02/2016

CURVE NO. SST012





Part No	Description	Material
SS601	Shaft	Stainless steel / (AISI 420)
SS602	Key	Stainless steel / (AISI 304)
SS603	Coupling	Stainless steel / (AISI 420)
SS604	O-Ring	Rubber
SS605	Coupling Screw	Stainless steel / (AISI 304)
SS606	Flange	Stainless steel / (AISI 304)
SS607	Flange Screw	Stainless steel / (AISI 304)
SS608	Support	Stainless steel / (AISI 304)
SS609	Strainer	Stainless steel / (AISI 304)
SS610	Neck Ring Retainer	Stainless steel / (AISI 420)
SS611	Neck Ring	Rubber / Steel
SS612A	Impeller	Stainless steel / (AISI 304)
SS612B	Ring Of Impeller	Stainless steel / (AISI 304)
SS613	Split Cone	Stainless steel / (AISI 420)
SS614	Split Cone Nut	Stainless steel / (AISI 304)
SS615	Spacing Washer For Stop Ring	Composite
SS617	Diffuser	Stainless steel / (AISI 304)
SS618	Diffuser With Stopper	Stainless steel / (AISI 304)
SS619	Bearing	Rubber
SS620	Bearing	Rubber / Steel
SS621	Discharge Ring	Stainless steel / (AISI 304)
SS622	Valve seat	Rubber / Steel
SS623	Valve Cone	Stainless steel / (AISI 304)
SS624	Discharge (4" Normal)	Stainless steel / (AISI 304)
SS624-A	Discharge (NPT - Rp 4)	Stainless steel / (AISI 304)
SS625	Strap	Stainless steel / (AISI 304)
SS626	Strap Nut	Stainless steel / (AISI 304)
SS627	Cable Guard	Stainless steel / (AISI 304)